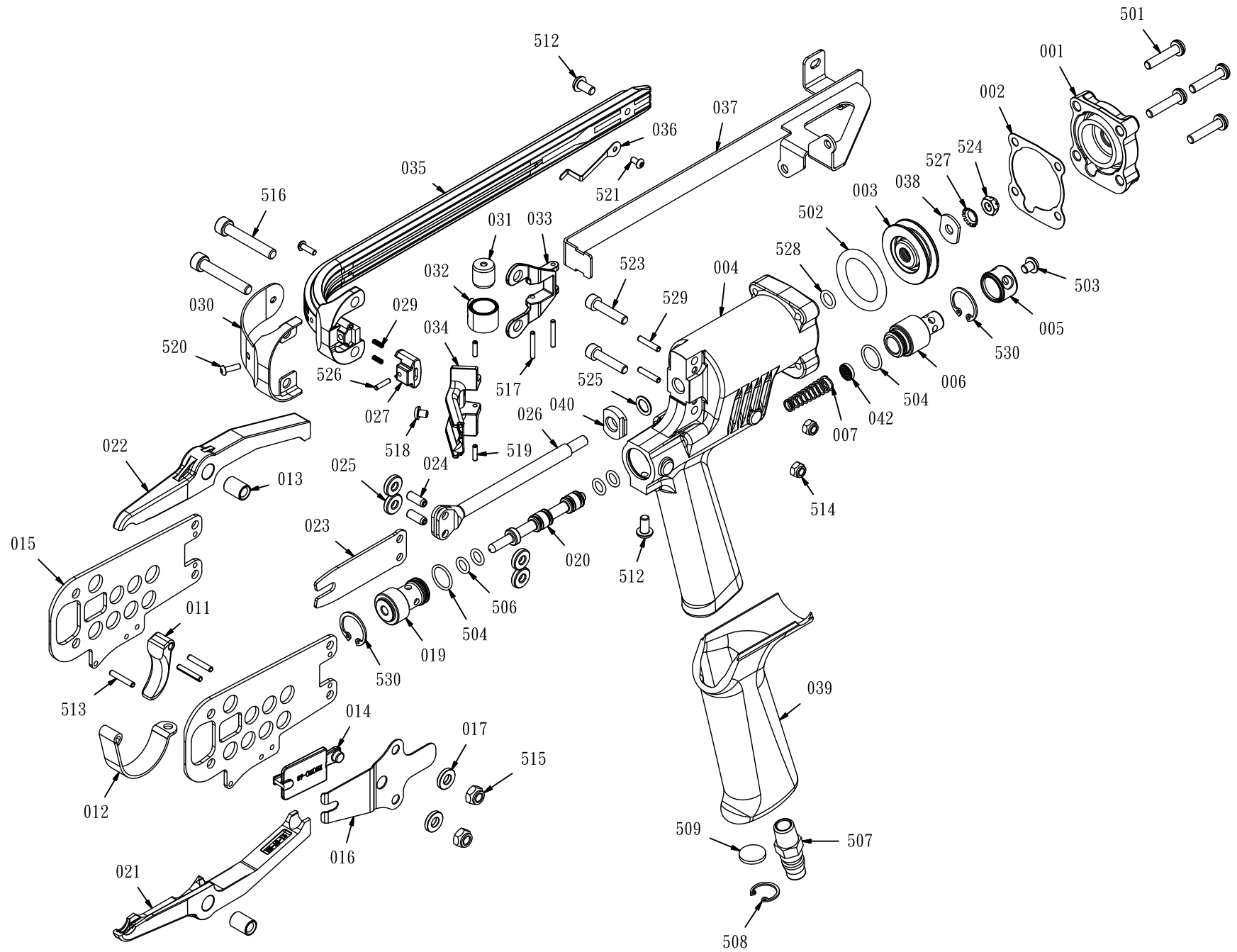


# MODEL : LPHC-A815-S



## PARTS LIST (LPHC-A815-S)

\*WHEN ORDERING SPARE PARTS, PLEASE STATE ITEM No, PART NO. AND DESCRIPTION.

ITEM	PART NO	DESCRIPTION	QTY	ITEM	PART NO	DESCRIPTION	QTY	ITEM	PART NO	DESCRIPTION	QTY
001	A08600102	CAP	1	039	A08604402	GRIP	1				
002	A08600201	PACKING	1	040	A10500501	BUMPER	1				
003	A08600301	PISTON	1	042	A08605401	SILENCER	1				
004-1	A08600404	BODY	1	501	BAC2105252	HEX.SOC.BUTTOM HD. CAP SC	4				
004-2	A08600405	BODY	1	502	BAB053279	O-RING	1				
005	A08602701	DEFLECTOR	1	503	BAC0905062	HEX.SOC.BUTTOM HD. CAP SC	1				
006	A08602603	SEAT, REAR VALVE	1	504	BAB015130	O-RING	2				
007	A08602502	SPRING	1	506	BAB017067	O-RING	4				
011	A08603402	TRIGGER	1	507-1	A00100801	AIR PLUG	1				
012	A08601201	GUARD, TRIGGER	1	507-2	A00100802	AIR PLUG	1				
013	A08601302	BUSHING	2	507-3	A00100803	AIR PLUG	1				
014	A10500701	LATCH	1	508	BAF21602	C-RING	1				
015	A08601002	SIDE PLATE	2	509	BAI1402	SILENCER	1				
016	A09800503	SPRING, LATCH	1	512	BAC0905102	HEX.SOC.BUTTOM HD.CAP SCR	2				
017	A08603601	WASHER	2	513	BAA030018	SPRING PIN	3				
019	A08602902	SEAT, FRONT VALVE	1	514	BAD01051	LOCK NUT	2				
020	A08605701	SPACER	1	515	BAD01061	LOCK NUT	2				
021	A09800101	JAW, LOWER	1	516	A08604002	HEX.SOC.HD.BOLT	2				
022	A09800201	JAW, UPPER	1	517	BAA025018	SPRING PIN	2				
023	A09800301	BLADE	1	518	BAC0904052	HEX.SOC.BUTTOM HD.CAP SCR	1				
024	A08603801	PIN	2	519	BAA025010	SPRING PIN	2				
025	A08603501	ROLLER	4	520	BAC0903104	HEX.SOC.BUTTOM HD.CAP SCR	2				
026	A08600501	PISTON ROD	1	521	BAC0903064	HEX.SOC.BUTTOM HD.CAP SCR	1				
027	A08601801	SHOE, MAGAZINE	1	523	A08604101	HEX.SOC.HD.BOLT	2				
029	A08603101	SPRING	2	524	A08604501	LOCK NUT	1				
030	A08602101	GUARD	1	525	BAB019078	O-RING	1				
031	A08602301	ROLLER	1	526	BAA025011	SPRING PIN	1				
032	A08602201	SPPING	1	527	BAE02062	TOOTHED LOCK WASHER-EXTER	1				
033	A08601701	BRACKET	1	528	BAB017076	O-RING	1				
034	A08601602	PUSHER	1	529	BAA030016	SPRING PIN	2				
035	A08602001A	MAGAZINE BODY	1	530	BAF22002	C RING	2				
036	A08602401	CLIP	1								
037	A08601401A	RAIL	1								
038	A08604201	WASHER	1								