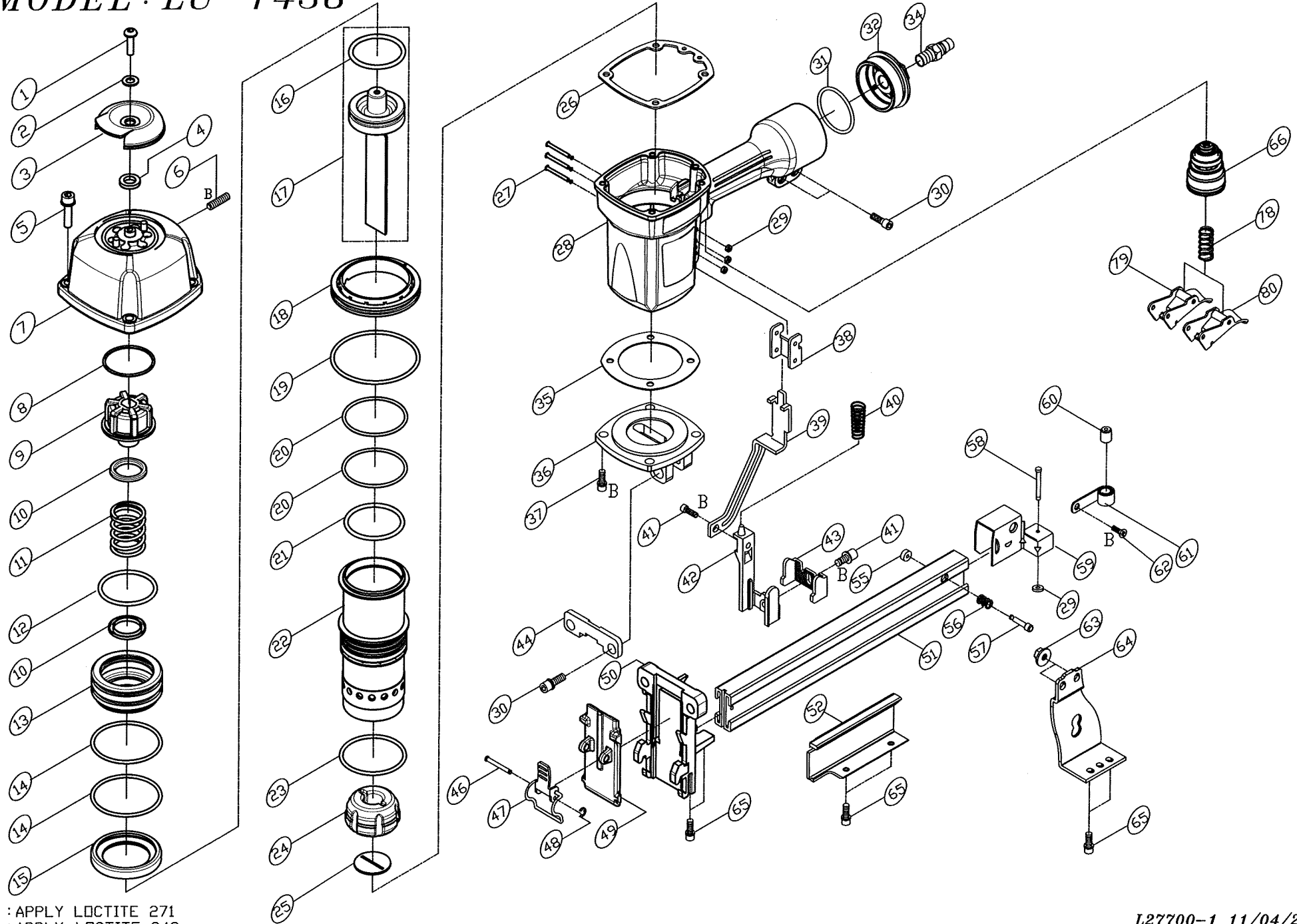


MODEL : LU-1438



*R : APPLY LOCTITE 271
*B : APPLY LOCTITE 242

PARTS LIST

(LU-1438)

*WHEN ORDERING SPARE PARTS, PLEASE STATE ITEM No, PART NO. AND DESCRIPTION.

ITEM	PART NO	DESCRIPTION	QTY	ITEM	PART NO	DESCRIPTION	QTY	ITEM	PART NO	DESCRIPTION	QTY
01	US05080L-20	UM. HD. BOLT	1	36	25202901	BOTTOM	1				
02	FW050130B-10	FLAT WASHER	1	37	HS06100BN1-20	HEX. SOC. HD. BOLT	4				
03	15100202	EXHAUST COVER	1	38	25203201	GUIDE SAFETY LEVER	1				
04	15300401	PU RING	1	39	30509101	UPPER SAFETY LEVER	1				
05	HS06100LW-25	HEX. SOC. HD. BOLT+SW	4	40	30503301	SPRING	1				
06	SS06100B-06	SET SCREW	1	41	HS05080BW-08	HEX. SOC. HD. BOLT+SW	2				
07	15108801	CAP	1	42	30503401	SAFETY LEVER	1				
08	15100801	SPACER	1	43	30509201	SAFETY ADJUSTING LEVER	1				
09	15100901	PISTON STOPPER**	1	44	30505401	SET PLATE	1				
10	15100401	SPACER	2	46	30504801	STEPPED PIN	1				
11	15101001	SPRING**	1	47	30505001A	LATCH	1				
12	OR41630N	O RING**	1	48	ER0300R	E RING	1				
13	15101202	PISTON HEAD VALVE	1	49	30505103	DRIVER GUIDE COVER	1				
14	OR52126N	O RING	2	50	27705203	NOSE	1				
15	15101401	SEAL	1	51	27705501-B02	MAGAZINE	1				
16	OR45735H1	O RING**	1	52	30505801	COVER	1				
17	27701604A	DRIVER ASSEMBLY	1	55	23306401	RUBBER WASHER**	1				
18	15301801	CYLINDER SPACER	1	56	11002601	SPRING	1				
19	OR74431N	O RING	1	57	27706401	STOPPER	1				
20	OR53726N	O RING**	2	58	12105802	SHAFT	1				
21	OR47735N	O RING**	1	59	27706101	PUSHER	1				
22	25202101	CYLINDER	1	60	15308601	ROLLER	1				
23	OR54431N	O RING**	1	61	15306201	SPRING**	1				
24	30502201	BUMPER	1	62	FH04070B-05	FLAT. HD. BOLT	1				
25	30502301	WASHER	1	63	LN0600NB	LOCK NUT	2				
26	15102401	GASKET**	1	64	30506801	BRACKET	1				
27	16102902	STEPPED PIN	3	65	HS05080LW-12	HEX. SOC. HD. BOLT+SW	6				
28	15108901	BODY	1	66	15104401A	SWITCH ASSEMBLY	1				
29	16103001	PU RING**	4	78	16305401	SPRING	1				
30	HS06100B-20	HEX. SOC. HD. BOLT	4	79	25205301A	SEQUENTIAL FIRE TRIGGER	1				
31	OR44431N	O RING**	1	80	25205302A	BUMP FIRE TRIGGER	1				
32	35307101	END CAP	1								
34	12106401	AIR PLUG	1								
35	15108402	GASKET**	1								