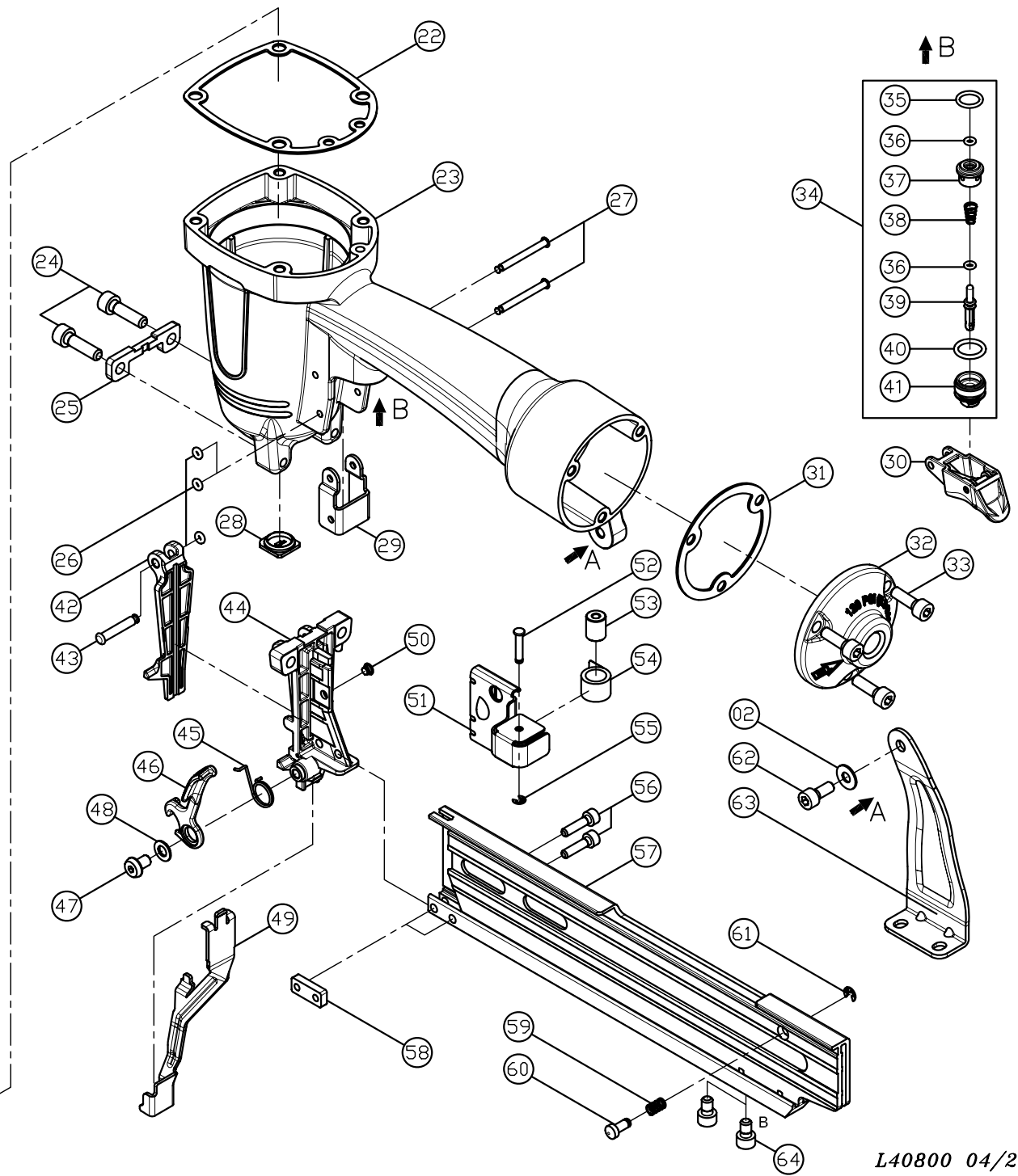
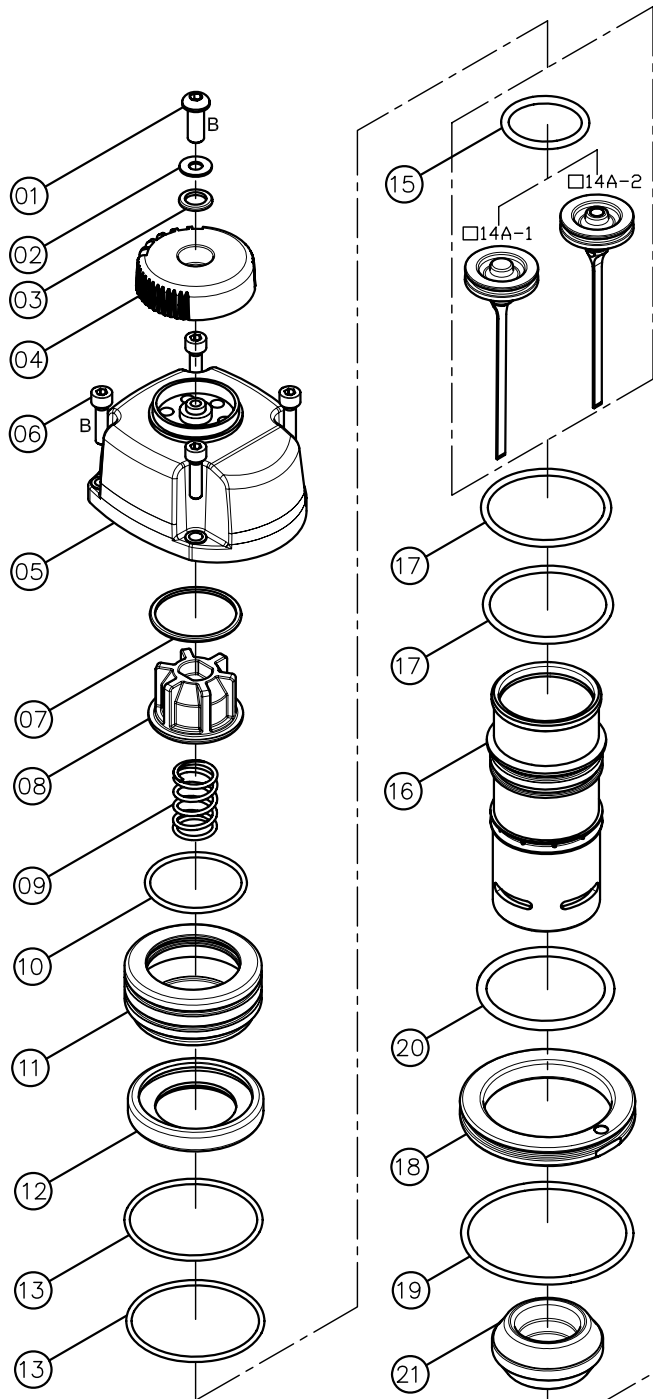


MODEL : LU-9040KT



*B : APPLY LOCTITE 242

PARTS LIST (LU-9040KT)

*WHEN ORDERING SPARE PARTS, PLEASE STATE ITEM No, PART NO. AND DESCRIPTION.

ITEM	PART NO	DESCRIPTION	QTY	ITEM	PART NO	DESCRIPTION	QTY	ITEM	PART NO	DESCRIPTION	QTY
01	US05080B-06	UM.HD.BOLT	1	34	11006902A	TRIGGER VALVE ASSEMBLY	1				
02	FW050120B-10	FLAT WASHER	2	35	OR09116N	O RING**	1				
03	12103301	SEAL	1	36	OR02515M	O RING**	2				
04	13907403	EXHAUST COVER	1	37	11003402	TRIGGER VALVE STEM	1				
05	17300604	CAP	1	38	11006902	SPRING	1				
06	HS05080BW-20	HEX.SOC.HD.BOLT+SW	4	39	11003504	TRIGGER VALVE STEM	1				
07	13600801	SPACER	1	40	OR10819N	O RING**	1				
08	13600901	PISTON STOPPER**	1	41	11003803	TRIGGER VALVE GUIDE	1				
09	13601001	SPRING**	1	42	40800701	DRIVER GUIDE COVER	1				
10	OR33720N	O RING**	1	43	40801501	STEP PIN	1				
11	13601201	PISTON HEAD VALVE	1	44	40800601	NOSE	1				
12	13601401	SEAL	1	45	40801201	TORSION SPRING	1				
13	OR46520N	O RING**	2	46	40801001	LATCH	1				
14A-1	40800301A	PISTON ASSEMBLY	1	47	US05080B-08	UM.HD.BOLT	1				
14A-2	40800302A	PISTON ASSEMBLY	1	48	FW050100B-10	FLAT WASHER	1				
15	OR33735N	O RING**	1	49	40800101	SAFETY	1				
16	40800401	CYLINDER	1	50	39601501	ANCHOR	1				
17	OR43026N	O RING**	2	51	39600901	PUSHER	1				
18	17301801	COLLAR	1	52	10202201	STEPPED PIN	1				
19	OR58426N	O RING	1	53	39601001	ROLLER	1				
20	OR43735N	O RING**	1	54	27207001	SPRING	1				
21	40801401	BUMPER	1	55	ER0250R	E RING	1				
22	17302403	GASKET**	1	56	HS04070B-16	HEX. SOC. HD. BOLT	2				
23	40800901	BODY	1	57	40800801	MAGAZINE	1				
24	HS05080BW-25	HEX.SOC.HD.BOLT+SW	2	58	39801201	SET PLATE	1				
25	27208501	PLATE	1	59	27208701	SPRING	1				
26	OR01919N	O RING**	3	60	39601101	STOPPER	1				
27	11103201	STEPPED PIN	2	61	ER0300R	E RING	1				
28	12502501	JOINT GUIDE	1	62	HS05080B-12	HEX.SOC.HD.BOLT	1				
29	40801101	CONTACT ARM GUIDE	1	63	40800501	BRACKET	1				
30	40801301A	TRIGGER ASSEMBLY	1	64	HS05080B-08	HEX.SOC.HD.BOLT	2				
31	15107001	GASKET	1								
32	15107101	END CAP	1								
33	HS05080BW-16	HEX.SOC.HD.BOLT+SW	3								