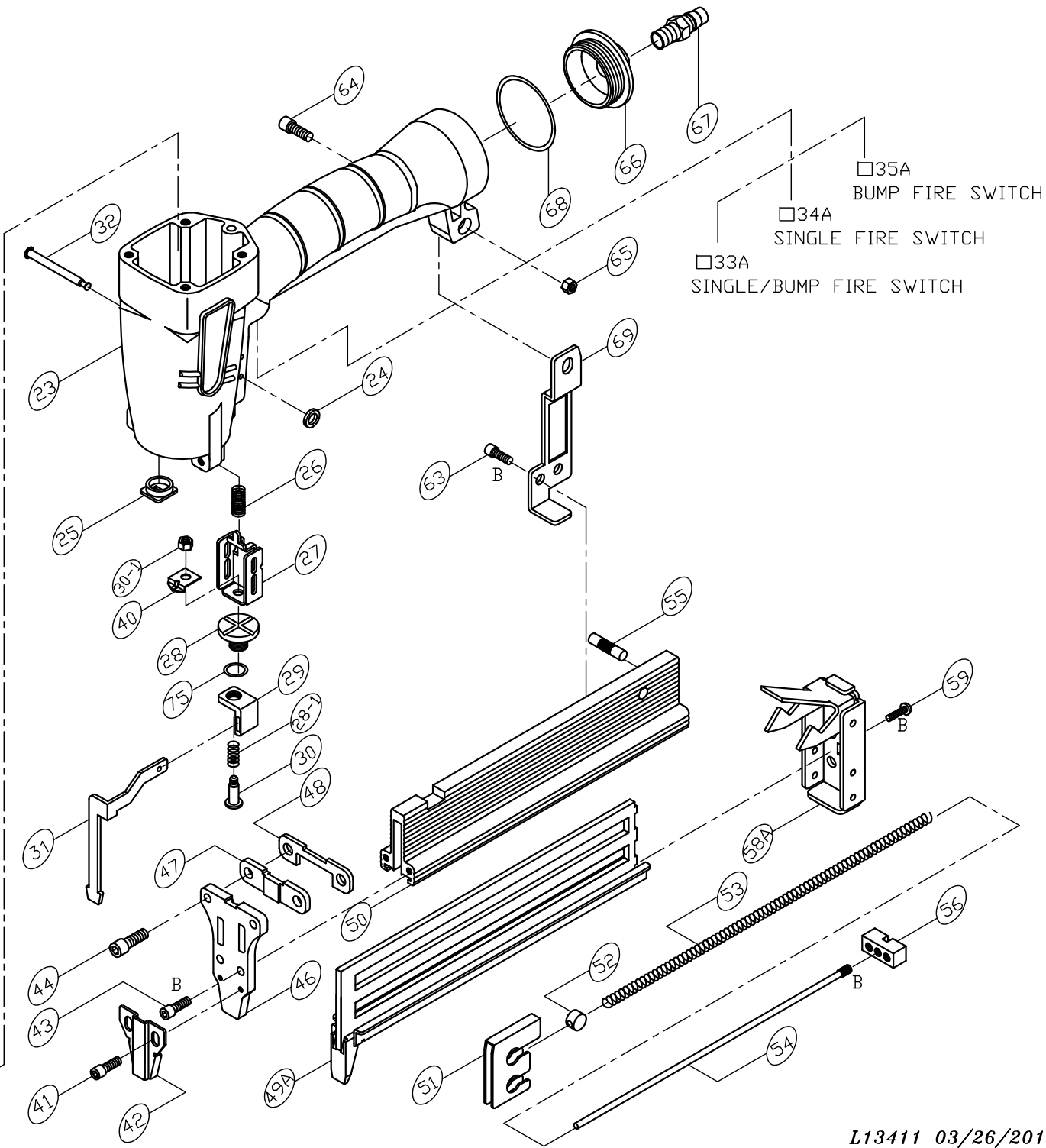
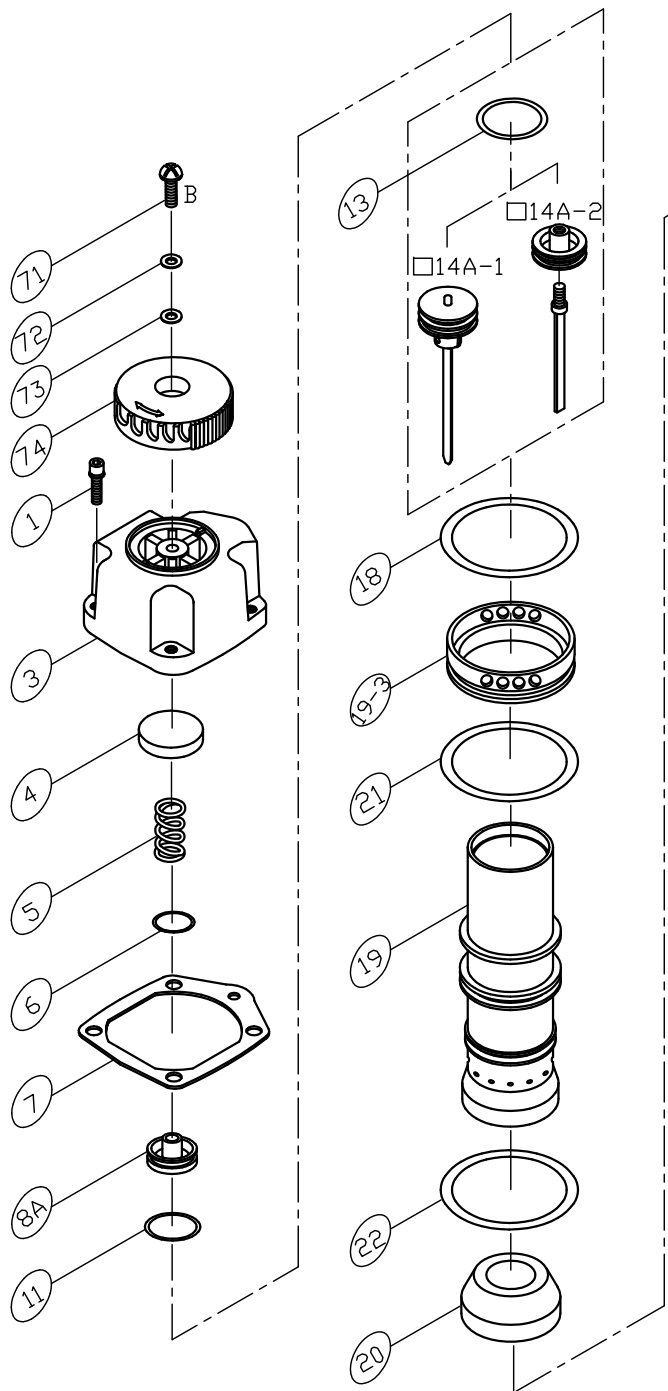


MODEL : LU-9040LAD



*B : APPLY LOCTITE 242

L13411 03/26/2012

PARTS LIST (LU-9040LAD)

*WHEN ORDERING SPARE PARTS, PLEASE STATE ITEM No, PART NO. AND DESCRIPTION.

ITEM	PART NO	DESCRIPTION	QTY	ITEM	PART NO	DESCRIPTION	QTY	ITEM	PART NO	DESCRIPTION	QTY
01	HS05080BW-20	HEX. SOC. HD. BOLT+SW	4	46	13404601	NOSE	1				
03	13900306	CAP	1	47	11304701	SET PLATE	1				
04	12100401	SEAL**	1	48	12504801	SET PLATE	1				
05	12100501	SPRING**	1	49A	12504901A	STAPLE GUIDE UNIT	1				
06	OR13824N	O RING**	1	50	13405001	MAGAZINE	1				
07	11100702	CAP SEAL**	1	51	12505101	PUSHER	1				
08A	13900801A	HEAD VALVE ASM.	1	52	11205201	SLIDE BLOCK	2				
11	OR31824N	O RING**	1	53	11305301	SPRING**	2				
13	OR25735N	O RING**	1	54	11305401	ROD	2				
14A-1	13401401A	DRIVER ASSEMBLY**	1	55	11305501	SHAFT	1				
14A-2	13401402A	DRIVER ASSEMBLY**	1	56	11305601	SET BLOCK	2				
18	OR44431N	O RING**	1	58A	12505801A	END CORE ASM.	1				
19	13301901	CYLINDER	1	59	US05080B-10	UM. HD. BOLT	4				
19-3	13901903	COLLAR	1	63	HS04070B-10	HEX. SOC. HD. BOLT	2				
20	13902001	BUMPER**	1	64	HS05080B-16	HEX. SOC. HD. BOLT	1				
21	OR35020N	O RING**	1	65	LN0500N	LOCK NUT	1				
22	OR35735N	O RING**	1	66	11106601	COVER	1				
23	11102309	BODY	1	67	12106401	AIR PLUG	1				
24	OR01919N	O RING**	2	68	OR40030N	O RING**	1				
25	12502501	JOINT GUIDE	1	69	12706901	BRACKET	1				
26	11002601	SPRING	1	71	US05080B-06	UM. HD. BOLT	1				
27	11002702	GUIDE SAFETY LEVER	1	72	FW050120B-10	FLAT WASHER	1				
28	18103202	SAFETY ADJUSTING NUT	1	73	12103301	SEAL	1				
28-1	18103101	SPRING	1	74	13907403	EXHAUST COVER	1				
29	13403001	GUIDE PLATE	1	75	OR06010N	O RING**	1				
30	18104601	SET SHAFT	1								
30-1	LN0400N	LOCK NUT	1								
31	13403401	SAFETY LEVER	1								
32	11103201	STEPPED PIN	2								
40	21903501	POSITIONING PLATE	1								
41	HS04070B-06	HEX. SOC. HD. BOLT	2								
42	10904201	NOSE COVER	1								
43	HS04070B-16	HEX. SOC. HD. BOLT	2								
44	HS05080BW-25	HEX. SOC. HD. BOLT+SW	2								