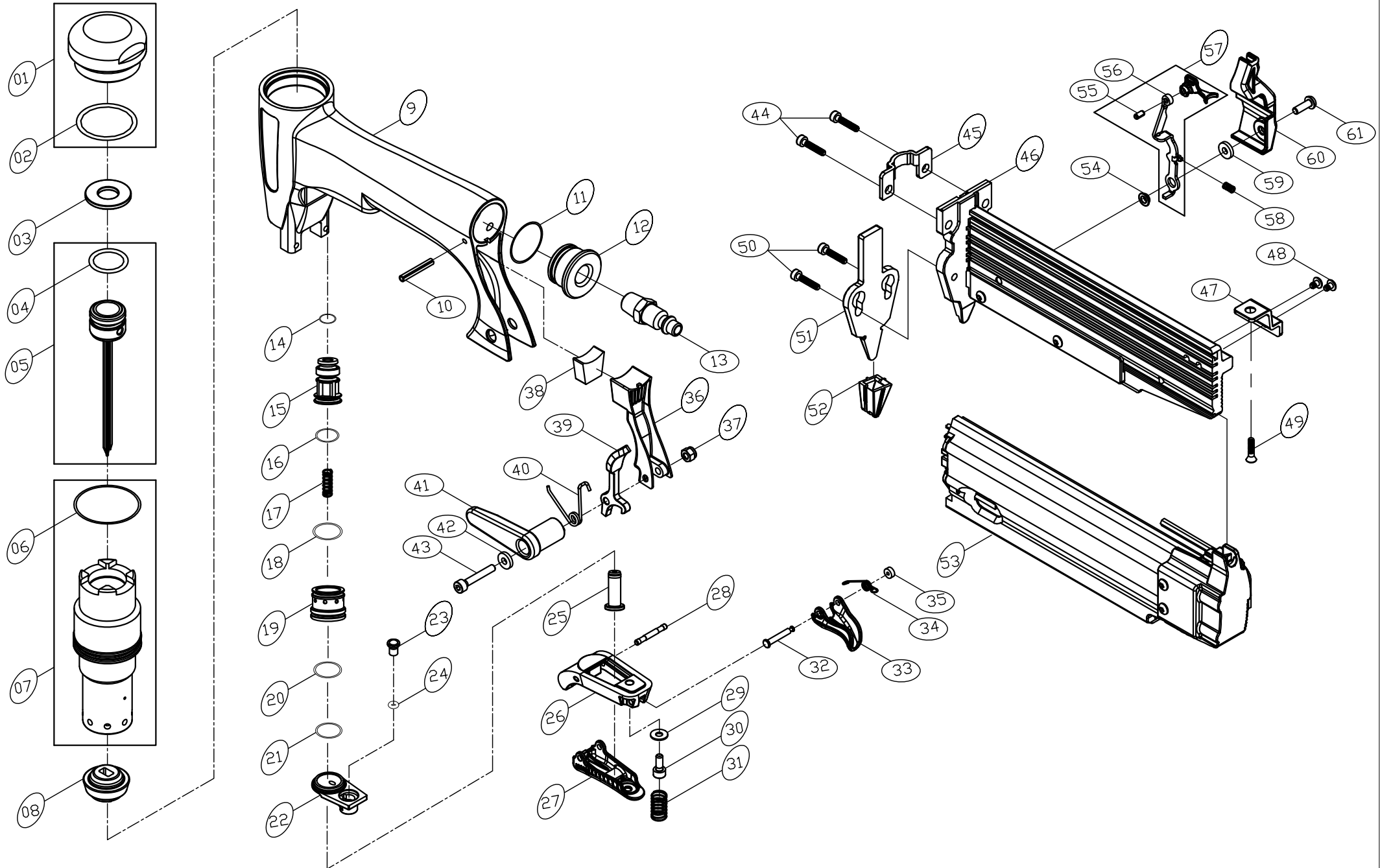


MODEL : PT-635L



*B : APPLY LOCTITE 242

L92620 01/16/2012

PARTS LIST (PT-635L)

*WHEN ORDERING SPARE PARTS, PLEASE STATE ITEM No, PART NO. AND DESCRIPTION.

ITEM	PART NO	DESCRIPTION	QTY	ITEM	PART NO	DESCRIPTION	QTY	ITEM	PART NO	DESCRIPTION	QTY
01	92600701A	HAMMER CAP HAMMER ASSEMBL	1	35	16103001	PU RING**	1				
02	92600801	O-RING	1	36	31603502	EXHAUST COVER	1				
03	31600301	PISTON STOPPER	1	37	LN0400N	LOCK NUT	1				
04	92600901	O-RING	1	38	31606101	MUFFLER	1				
05	92601002A	PISTON RAM ASSEMBLY	1	39	33403801	LATCH	1				
06	92601101	O-RING	1	40	31603701	TOR SPRING	1				
07	92601201A	CYLINDER ASSEMBLY	1	41	32806601	BELT HOOK	1				
08	92600101	BUMPER	1	42	FW040080B-05	FLAT WASHER	1				
09	31601202	BODY	1	43	HS04070B-30	HEX. SOC. HD. BOLT	1				
10	RP3025S	ROLLED PIN	1	44	92603901	HEX SOC BOLT	2				
11	OR20326N	O RING	1	45	92604001	NOSE PLATE	1				
12	31603301	END CAP	1	46	92602802A	MAGAZINE ASSEMBLY	1				
13	12106401	AIR PLUG	1	47	92600301	TAIL HANGER	1				
14	OR07626N	O RING	2	48	92602601	HEX SOC BOLT FLAT HEAD	2				
15	31601701	VALVE PLUNGER	1	49	92603401	HEX. SOC FLAT HD. SCREW	1				
16	OR12418N	O RING	1	50	92601501	HEX SOC BOLT	2				
17	31602201	SPRING	1	51	92601601	NOSE COVER	1				
18	OR15618N	O RING**	1	52	92601701	NO MAR TIP	1				
19	31602001	VALVE CYLINDER	1	53	92600401A	MAGAZINE COVER ASSEMBLY	1				
20	OR17313N	O RING	1	54	92604801	SAFETY CAP	1				
21	OR17218N	O RING	1	55	92604201	PIN	1				
22	31602301	PLUNGER COVER	1	56	92604601	SAFETY	1				
23	31602601	TRIGGER VALVE STEM	1	57	92604701A	SAFETY A ASSEMBLY	1				
24	OR02518N	O RING	1	58	92605101	SPRING	1				
25	31602401	CONNECTING TUBE	1	59	92604501	FLAT WASHER	1				
26	31602503	TRIGGER BASE	1	60	92605201	SAFETY COVER	1				
27	31602803	TRIGGER	1	61	92604301	HEX SOC BOLT	1				
28	31602901	PIN	1								
29	FW040100B-08	FLAT WASHER	1								
30	HS04070B-10	HEX. SOC. HD. BOLT	1								
31	12103901	SPRING	1								
32	12105802	SHAFT	1								
33	31606001	TRIGGER CONTROLLER	1								
34	11009101	TOR. SPRING	1								